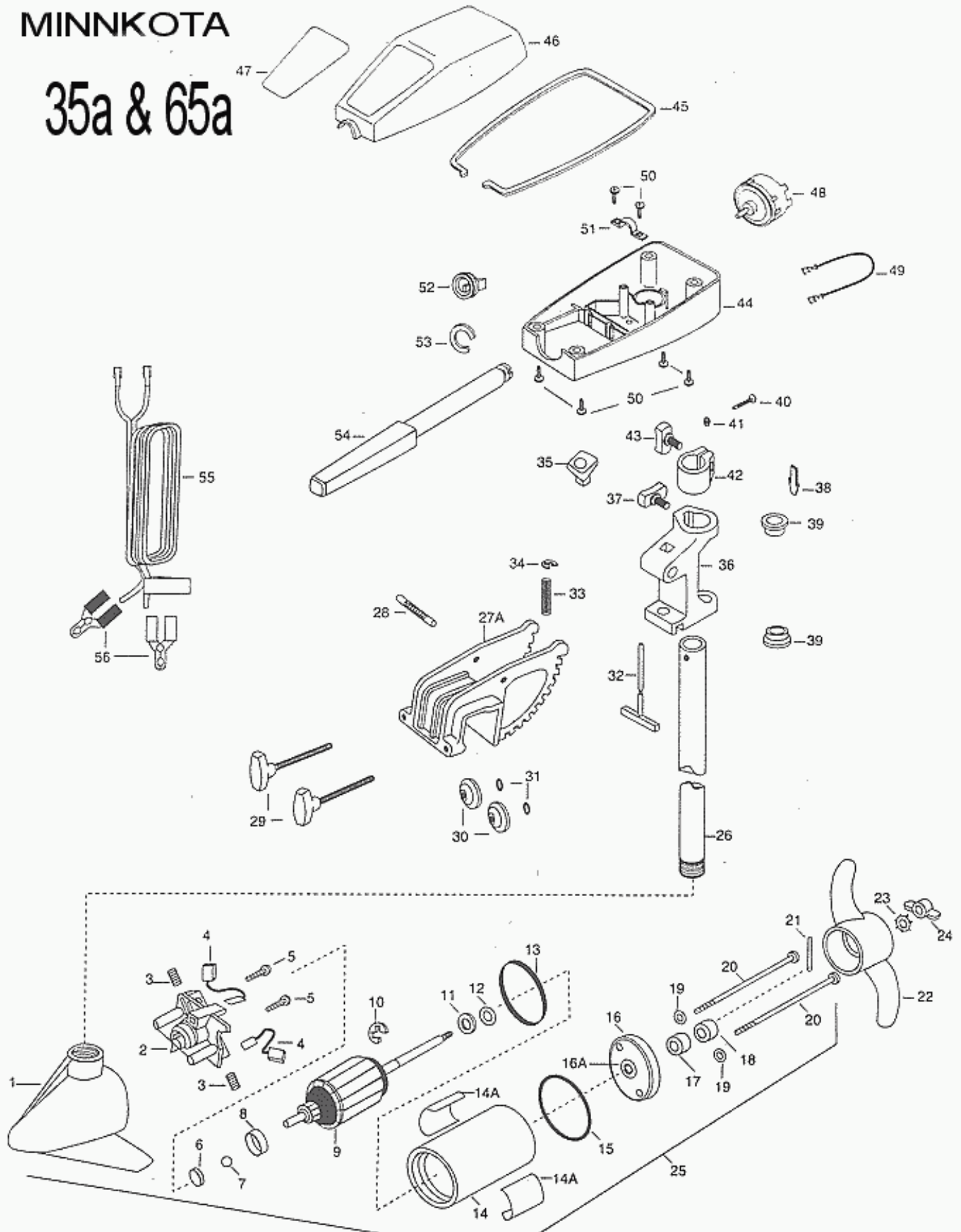


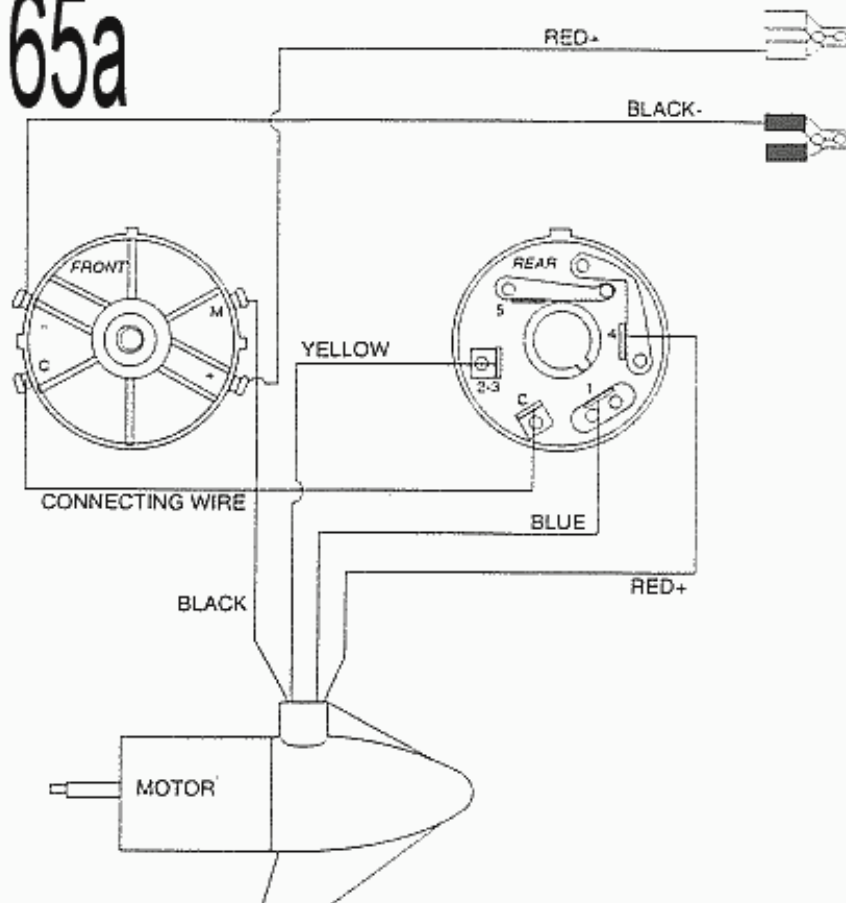
MINNKOTA

35a & 65a



1	403-022	Front End Bell W/Potted Speed Coil	29	201-1375	Clamp Screw (2 req'd)
2	406-402	Brush Plate Assembly	30	201-1710	Clamp Washer (2 req'd)
3	406-081	Brush Spring (2 req'd)	31	201-3010	Retaining Ring (2 req'd)
4	406-072	Brush Assembly (2 req'd)	32	203-3602	T-Bar
5	406-341	Brush Plate Screw (2 req'd)	33	201-2700	T-Bar Spring
6	403-050	Thrust Disc	34	201-3000	E-Ring
7	403-010	Ball	35	201-0110	Tilt Knob
8	406-090	Brush Holder	36	203-1831	Hinge
9	403-207	Armature Assembly	37	201-1385	Tension Screw
10	405-300	E-Ring	38	203-2800	Tension Block
11	406-170	Thrust Washer-Steel	39	203-7300	Bushing-Hinge (2 req'd)
12	405-171	Thrust Washer-Nylon	40	203-3400	Screw 1-3/4"
13	406-480	Gasket	41	201-3110	Hex Nut
14	403-255	Center Section w/magnets	42	203-1520	Collar
14A	200-6607	Motor Decal- RED MK (2 req'd)	43	201-1365	Screw-Collar
15	406-460	O-Ring	44	206-2540	Control Box
16	406-032	Rear End Bell	45	206-6940	Gasket
16A	406-600	Flange Bearing (Service Centers Only)	46	206-0251	Control Box Cover
17	406-461	Seal	47	203-5605	Decal-Cover 35
18	406-471	Seal (cup)	47	206-5686	Decal-Cover 65
19	401-462	O-Ring Thru Bolt (2 req'd)	48	203-4020	Switch (4 speed) 35
20	403-354	Thru Bolt (2 req'd)	48	206-4020	Switch (5 speed) 65
21	209-2600	Drive Pin	49	202-0310	Connecting Wire
22	206-1121	Propeller	50	201-2100	Screw 5/8" (6 req'd)
23	205-1700	Lock Washer	51	201-0030	Bearing Handle Cap
24	205-3100	Prop Nut	52	201-0000	Handle Bearing - Inner
25	203-9070	Motor Assembly Complete (30")	53	201-0011	Handle Bearing - Outer
26	203-2051	Tube (30")	54	203-0911	Handle Assembly (4 speed) 35
27	299-1800	Hinge & Bracket Assembly	54	206-0911	Handle Assembly (5 speed) 65
		(includes #27A, 28, 32-39)	55	205-0600	Leadwire (Includes Battery Clips)
27A	277-1907	Bracket Assembly	56	201-0700	Battery Clips (2 req'd)
		(includes#27B, 29-31)		403-246	Replacement Speed Coil 35
*27B	203-1910	Bracket (Order #27A)		403-245	Replacement Speed Coil 65
28	201-0511	Hinge Pin			

# 35a & 65a



65MX

